
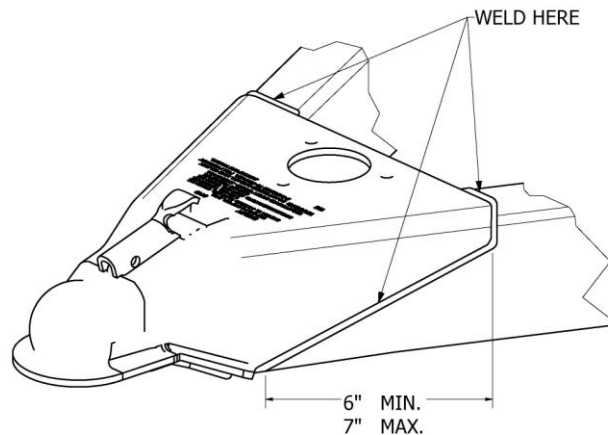


Coupler Installation Operation and Maintenance Instructions

MODEL 5104 CLASS IV A-FRAME COUPLER
2 5/16" BALL-MAX. GVWR 13,000 LBS.
MAX TONGUE WT. 1,950 LBS.

 **IMPORTANT** – READ INSTRUCTIONS CAREFULLY BEFORE INSTALLATION OR OPERATION. FAILURE TO FOLLOW THESE WARNINGS AND INSTALLATION INSTRUCTIONS WILL RESULT IN SEPARATION OF TOW VEHICLE AND TRAILER, WHICH CAN RESULT IN DEATH, PERSONAL INJURY AND PROPERTY DAMAGE.

COUPLER INSTALLATION



OPERATION INSTRUCTIONS

WARNING:

- ALWAYS CHECK TO SEE THAT COUPLER HANDLE IS CLOSED AND COUPLER IS PROPERLY SECURED TO HITCH BALL BEFORE TOWING.
 - ALWAYS USE APPROVED SAFETY CHAINS.
1. USE ONLY THE CORRECT SIZE BALL AS INDICATED BY THE STAMP ON THE COUPLER. DO NOT EXCEED WEIGHT CAPACITY OF BALL OR LOAD LIMITATIONS STAMPED ON COUPLER.
 2. TO OPEN, PULL UP ON LATCH HANDLE AND SLIDE BACKWARDS. THE HANDLE SHOULD REST IN THE DEPRESSION IN THE COUPLER BODY.
 3. PLACE THE COUPLER ON THE 2 5/16" BALL, AND SLIDE THE LATCH HANDLE FORWARD UNTIL THE REAR OF THE HANDLE LOCKS IN THE SLOT.
 4. EXTEND JACK TO GROUND AND LIFT TOW VEHICLE/TRAILER COMBINATION 2-4" TO ENSURE COUPLER IS SECURELY ATTACHED TO THE HITCH BALL. RETRACT JACK BEFORE TOWING.

5. INSERT PADLOCK THROUGH HOLE IN HANDLE FOR THEFT PREVENTION.
6. AVOID SHARP TURNS AND EXCESSIVE VERTICAL ANGLES WHEN TOWING OR BACKING UP. THIS COULD BEND OR DAMAGE COUPLER OR COUPLER COMPONENTS.

 *******WARNING******* 

- SAFE TOWING PRACTICES REQUIRE THE PROPER USE OF SAFETY CHAINS USED IN ACCORDANCE WITH INSTRUCTIONS PROVIDED BY THE TRAILER MANUFACTURER.

MAINTENANCE INSTRUCTIONS

1. LUBRICATE THE BALL SOCKET WITH HIGH PRESSURE GREASE MONTHLY. LUBRICATE THE LATCH HANDLE PIVOT PIN WITH SAE 30W OIL MONTHLY.
2. CHECK THE HITCH BALL AND COUPLER FOR SIGNS OF WEAR BEFORE EACH USE. ASSURE ALL PARTS OPERATE FREELY.

For information or assistance regarding this product contact your dealer or write to:
Customer Service Manager, Shelby Industries, LLC 175 Mc Daniel Rd., Shelbyville, KY 40065 Phone: 502-633-2040
Visit Website: www.shelbyindustries.com

NOTE: THIS PRODUCT COMPLIES WITH REGULATION V-5 AND CSA STANDARD D-264

NOTE: SOME STATES REQUIRE CLEAR VIEW OF LICENSE, REMOVE HITCH BALL, WHEN NOT IN USE, IF IT RESTRICTS VIEW.

NOTE: THIS PRODUCT COMPLIES WITH SAFETY SPECIFICATIONS AND REQUIREMENTS FOR CONNECTING DEVICES.